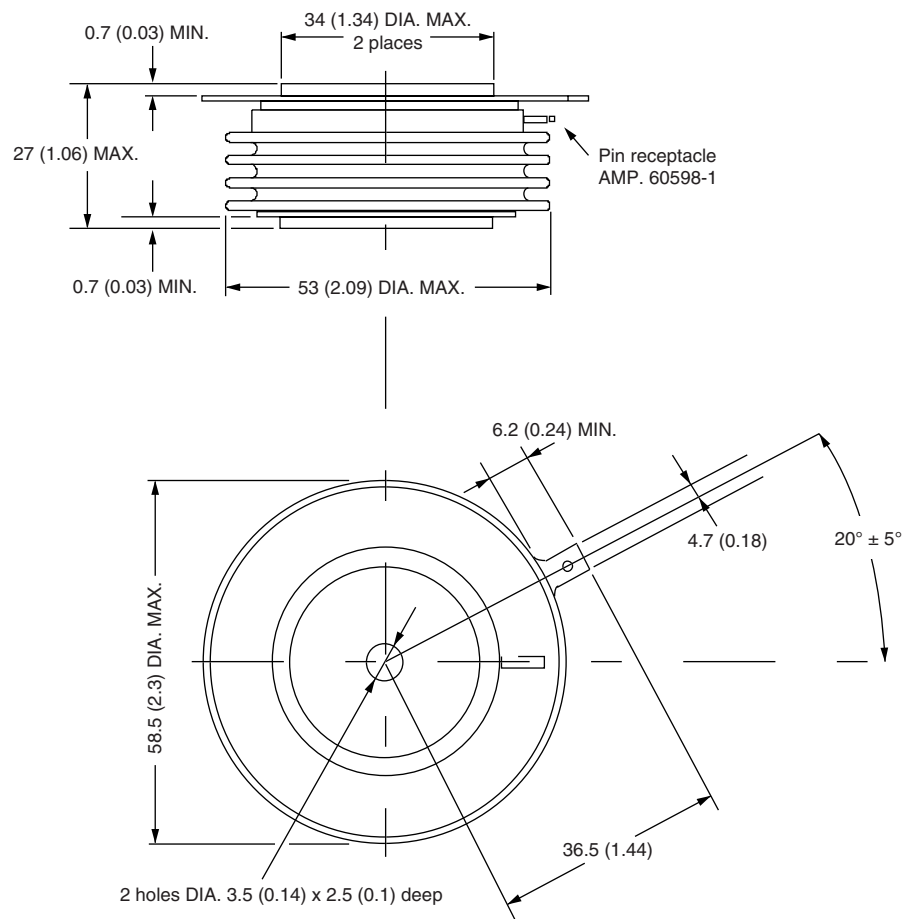


TO-200AC (B-PUK)

DIMENSIONS in millimeters (inches)

Case Style TO-200AC (B-PUK)

Creepage distance: 36.33 (1.430) minimum
Strike distance: 17.43 (0.686) minimum



Quote between upper and lower pole pieces has to be considered after application of mounting force (see thermal and mechanical specification)